



# AMSTELSTROOM

ANCHOR HANDLING TUG SUPPLY VESSEL

IMO nr.	9295775
Call sign	PIAS
Flag	Dutch
Type	Shoalbuster 2609 S
Constructed	2004
Bollard Pull	30.0 tons
Speed	12.0 knots
Free deck space	68 m <sup>2</sup>
Deckload	10 - 3.25 ton/m <sup>2</sup>

**Basic functions:** Towing, Mooring, Pushing, Anchor Handling, Supplying, Surveying, Ploughing, Crew Transfer

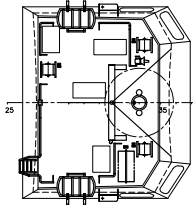
GRT / NT	232 / 69					
Dimensions	26.10 x 9.35 x 3.60 mtr.					
Draft (min. / max.)	2.35 / 2.88 mtr.					
Airdraft (min. / max.)	8.65 / 16.00 mtr.					
Displacement	460 tons					
Engines	2x Caterpillar, type 3508B TA/C, each 820 kW / 1130 HP @ 1600 rpm					
Gear Boxes	2x Reintjes, type WAF 562, reduction 5.421:1					
Generator Sets	2x John Deere, type 4045-TF 258, each 85 kVA voltage 220/380 V - 50 Hz					
Hydro Set	1x John Deere, type 6068-TF 258, 113 kW / 148 HP @ 1800 rpm					
Propulsion	2x Fixed pitch propeller in Kort Nozzle (Ø 1800 mm)					
Bow Thruster	Hydraulic driven FPP, 94 kW / 125 HP (Ø 595 mm)					
Tank capacities	Fuel oil	120.0 m <sup>3</sup>	Lub oil	1.6 m <sup>3</sup>	Hydr. oil	1.6 m <sup>3</sup>
	Fresh water	42.0 m <sup>3</sup>	Sewage	7.0 m <sup>3</sup>	Sludge	3.8 m <sup>3</sup>
	Bilge water	3.6 m <sup>3</sup>				
Transfer pumps	Fuel, 35 m <sup>3</sup> /hr. @ 4.8 bar					
	Water, 20 m <sup>3</sup> /hr. @ 4.8 bar					
Nautical equipment	Radar (sea/river) - Magnetic compass - Gyro compass - Auto pilot - GPS / Satellite navigation system					
	AIS - 2x Echo sounder - Speedlog - Weatherfax					
	3x VHF + DSC - SSB Radio + DSC - Navtex - V-SAT system - 2x Inmarsat-C - EPIRB - SART - Satcom + GSM					
Deck equipment	Hydr. crane, Effer, type 120-000-2S, 120 T/m (21T. - 5.1 mtr. / 9.25T. - 12.2 mtr.)					
	Towing / AH winch, Ridderinkhof, DD - 800 / 300 mtr., Ø 36 mm steel wire, power 40 / 50 tons					
	Hydr. Towing pins + Chain stopper, SWL 35T - Stern roller, L 5.90 mtr., Ø 800 mm - Towing hook, SWL 45T					
	Gob eye, SWL 35T - Capstan, 440 mm - Push bow					
Special equipment	AC/CV installation					
	Air Compressor, ABAC, type 5900 400 VAC, cap. 600 m <sup>3</sup> /hr. @ 8 bar - Fuel oil separator					
	Moonpool (Netto: 720 x 620 mm)					
	Optional: A-frame (with plough), SWL 48T					
Accommodation	7 persons					
Classification	BV - I HULL • MACH / Tug, Special service - multi purpose ship / Unrestricted navigation • AUT-UMS					
	NSI - Unrestricted navigation					

**VAN WIJNGAARDEN MARINE SERVICES B.V.**

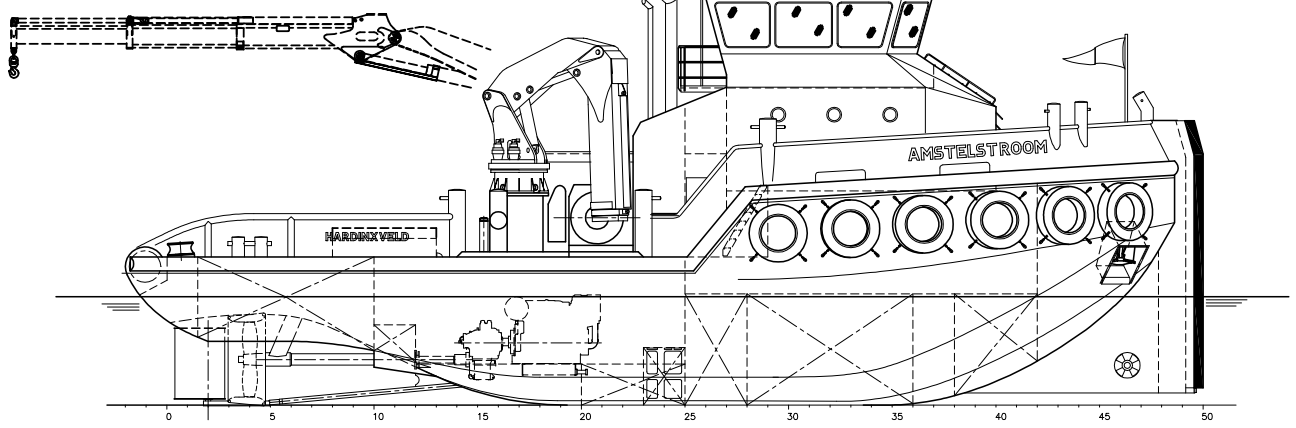
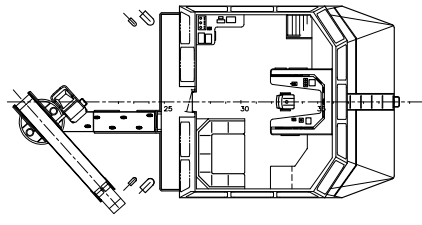
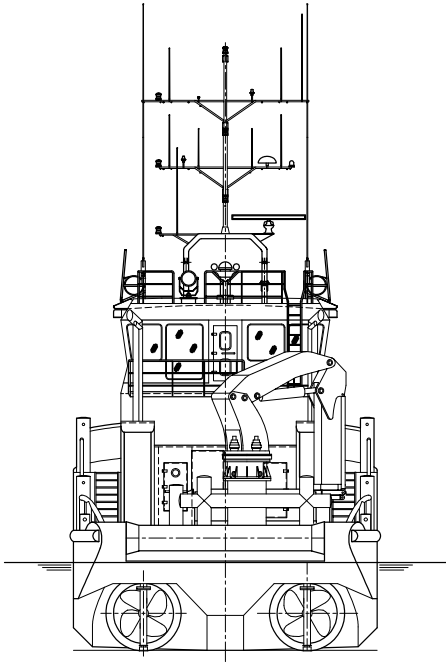
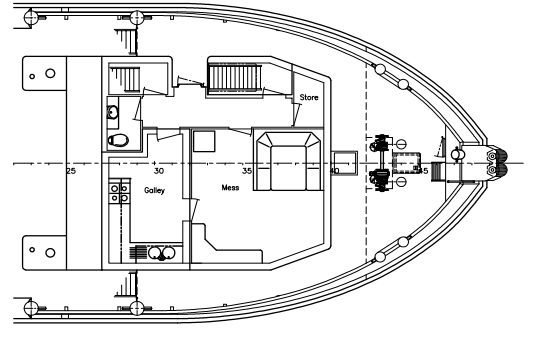
Buitenweistraat 15 • 3372 BC Hardinxveld-Giessendam • The Netherlands • T: +31 (0)184 490 244  
F: +31 (0)184 490 265 • E: info@wijngaarden.com • I: www.wijngaarden.com



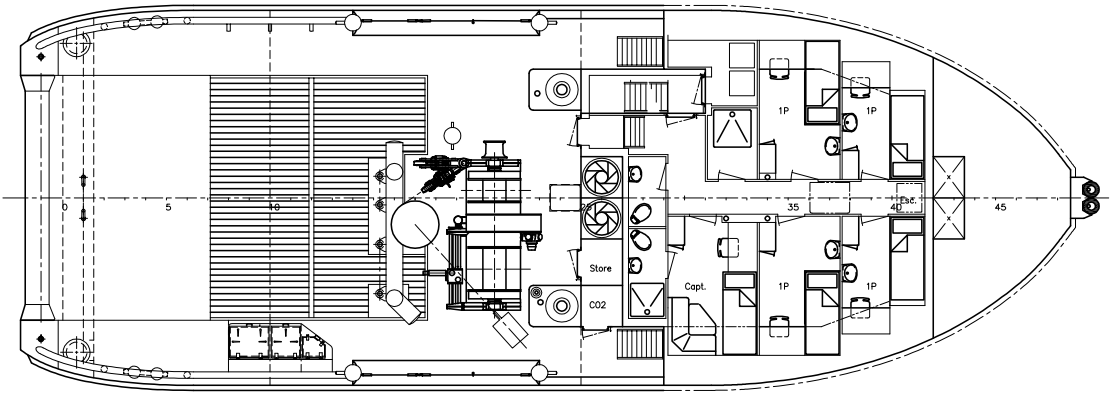
Topdeck



Forecastledeck



Maindeck



Below maindeck

