



GIESSENSTROOM

ANCHOR HANDLING TUG SUPPLY VESSEL

IMO nr.	9411109
Call sign	PHIF
Flag	Dutch
Type	Shoalbuster 3009
Constructed	2006
Bollard Pull	45.9 tons
Speed	11.6 knots
Free deck space	80 m ²
Deckload	15.0 - 3.0 ton/m ²

Basic functions: Towing, Mooring, Pushing, Anchor Handling, Supplying, Surveying, Ploughing, Crew Transfer

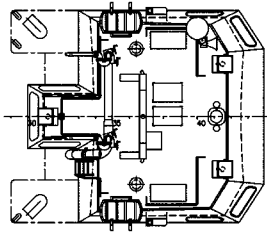
GRT / NT	309 / 92					
Dimensions	30.08 x 9.35 x 4.40 mtr.					
Draft (min. / max.)	2.60 / 3.20 mtr.					
Airdraft (min. / max.)	12.10 / 17.60 mtr.					
Displacement	550 tons					
Engines	2x Caterpillar, type 3512B TA/C, each 1.230 kW / 1.672 HP @ 1600 rpm					
Gear Boxes	2x Reintjes, type WAF 772, reduction 6.44:1					
Generator Sets	2x Caterpillar, type 3056 DIT, each 105 kVA, voltage 230/400 V - 50 Hz					
Hydro Set	1x Caterpillar, type C 18 TA-B, 357 kW / 479 HP @ 1800 rpm					
Propulsion	2x Fixed pitch propeller in Kort Nozzle (Ø 2250 mm)					
Bow Thruster	Hydraulic driven FPP, 184 kW / 250 HP (Ø 860 mm)					
Tank capacities	Fuel oil	175.0 m ³	Lub oil	7.0 m ³	Hydr. oil	3.0 m ³
	Fresh water	40.3 m ³	Sewage	3.0 m ³	Sludge	4.0 m ³
	Bilge water	4.3 m ³				
Transfer pumps	Fuel & Water, 50 m ³ /hr. @ 4.8 bar					
Nautical equipment	Radar (sea/river) - Radar (sea) - Magnetic compass - Gyro compass - Auto pilot - GPS / Satellite navigation system - AIS - 2x Echo sounder - Speedlog - Weatherfax 3x VHF + DSC - SSB Radio - Navtex - 2x Inmarsat-C - EPIRB - SART - Satcom + GSM - FBB					
Deck equipment	Hydr. crane, Heila, type HLRM-170-3 SL, 170 T/m (10T. - 14 mtr. / 12.5T. - 12 mtr.) Towing winch, Ridderinkhof, WF - 900 / 600 mtr., Ø 40 mm steel wire, power 50 / 75 tons Anchor handling winch, Ridderinkhof, 60 mtr., Ø 51 mm steel wire, power 100 / 125 tons Tugger winch, Brevini, 75 mtr., Ø 18 mm steel wire, power 8 tons - Hydr. Towing pins Stern roller, L 4.00 mtr., Ø 800 mm, SWL 100T - Towing hook, SWL 45T Workboat (steel) / 20 HP, Towing bitt - Capstan, 440 mm - Push bow					
Special equipment	AC/CV installation Air Compressor, ABAC, type 5900 400 VAC, cap. 19.2 m ³ /hr. @ 9 bar - 150 li.					
FiFi equipment	FiFi set (mobile), 1 x Cummins, type NT-855-G6, cap. 605 m ³ /hr @ 11 bar					
Accommodation	8 persons					
Classification	BV - I <input checked="" type="checkbox"/> HULL • MACH / Tug, Special service - multi purpose ship / Unrestricted navigation • AUT-UMS NSI - Unrestricted navigation					

VAN WIJNGAARDEN MARINE SERVICES B.V.

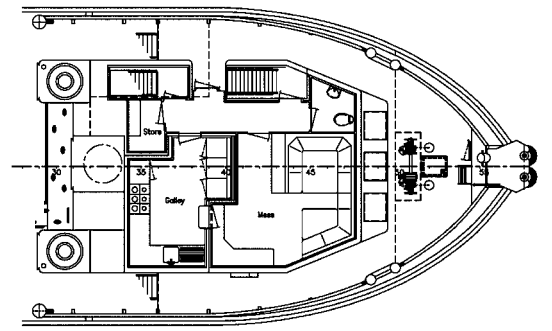
Buitenweistraat 15 • 3372 BC Hardinxveld-Giessendam • The Netherlands • T: +31 (0)184 490 244
F: +31 (0)184 490 265 • E: info@wijngaarden.com • I: www.wijngaarden.com



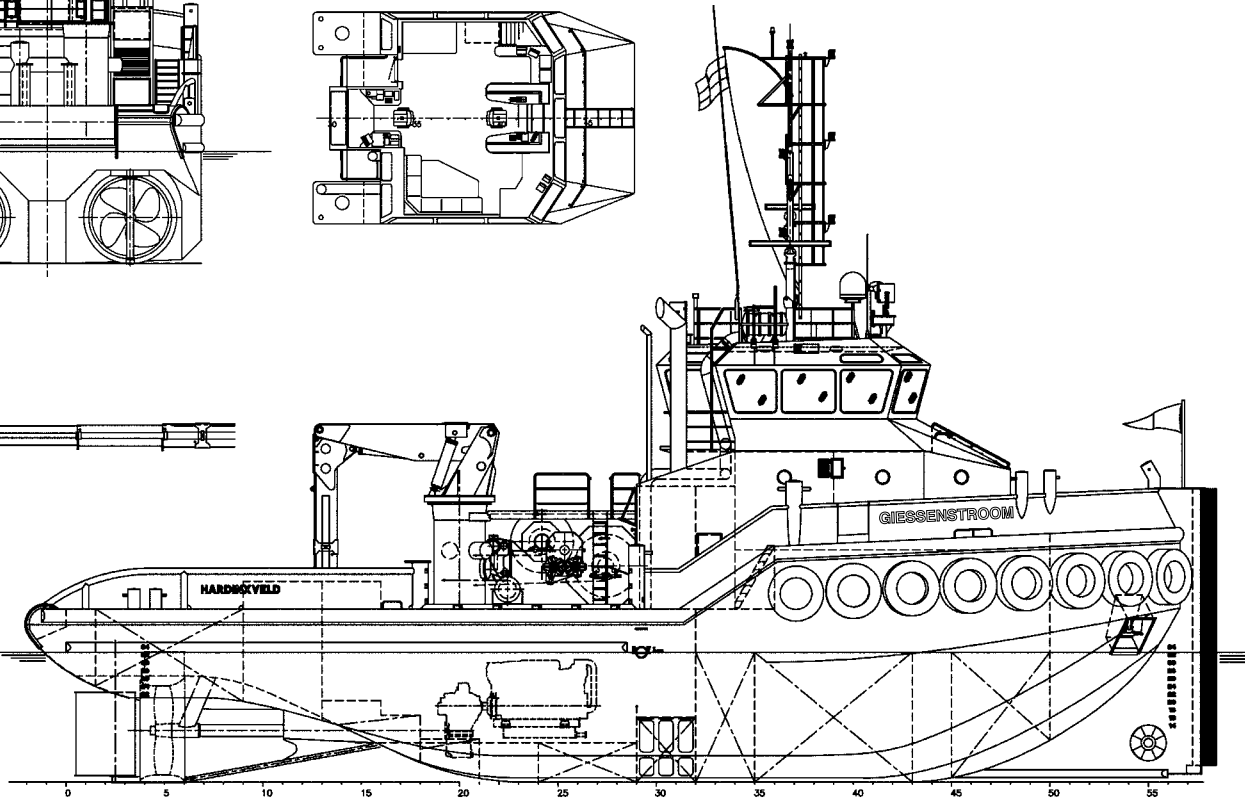
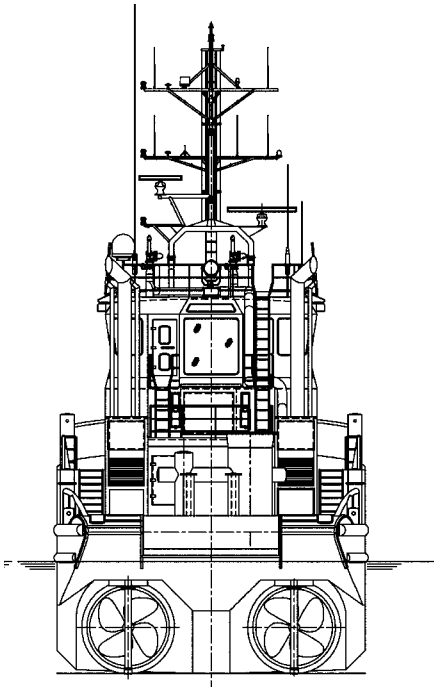
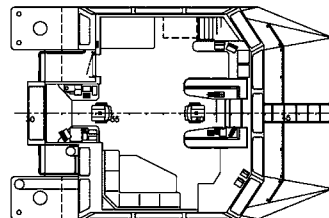
Topdeck



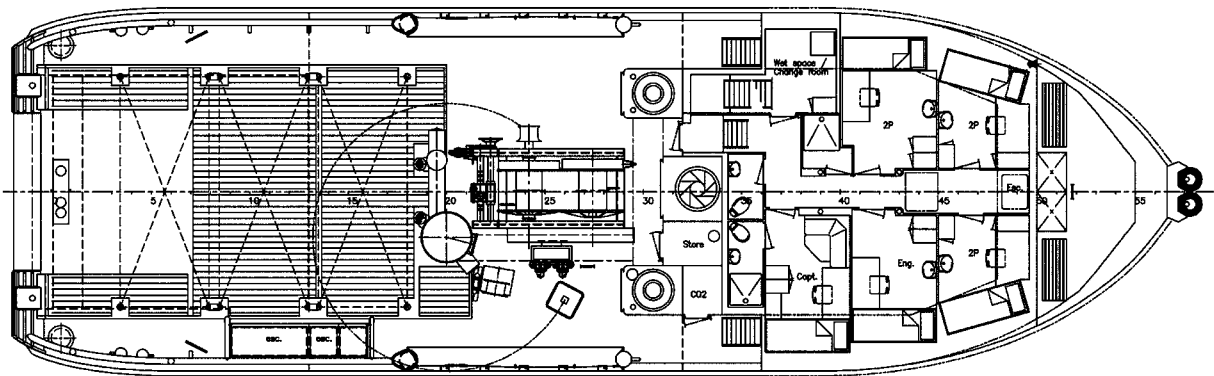
Forecastledeck



Wheelhousedeck



Maindeck



Below maindeck

