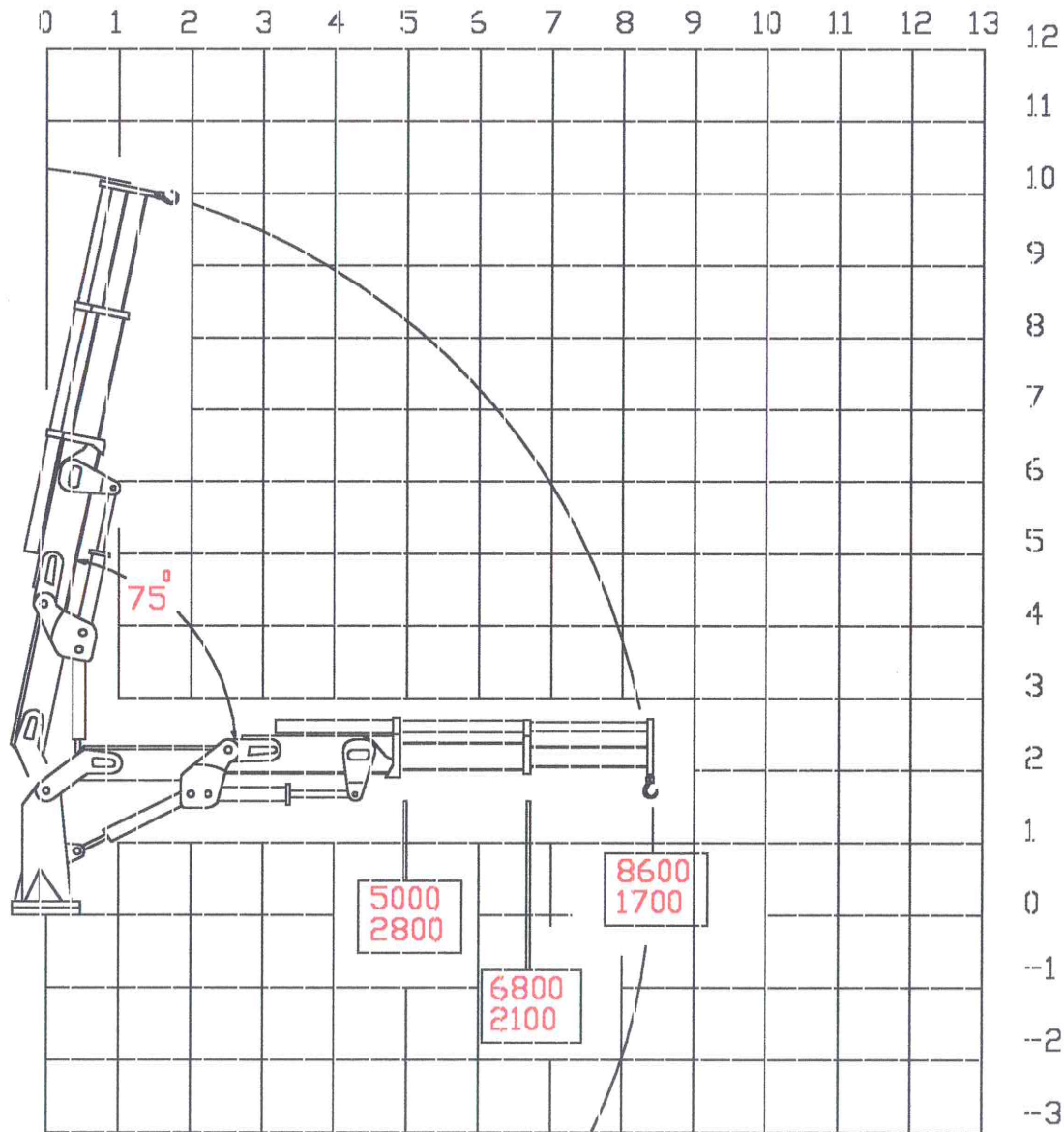


SORMEC marine crane type: T 2000 M16KN/2S



LIFTINGHOOK DIARAM

The SORMEC crane is designed and calculated in accordance to Din 15018. the welding and welders are in accordance with the ASME NORMS.

The manufacturing materials comply with the requirements of the classification societies as R.I.N.A - L.R.O.S. - B.V. - ABS - DNV.